

Contents

DXi4500 Installation and Configuration Guide

This guide provides basic installation and configuration instructions for the DXi4500 system (see [Figure 1](#)). Make sure to read the DXi4500 Site Planning Guide before starting your installation. The Site Planning Guide is included on the documentation CD provided with your DXi4500 system.

Note: Make sure to take the online training for the DXi4500 in order to make the best use of your product. The online training is available at www.quantum.com/ServiceandSupport/StorageCareLearning/Index.aspx

Figure 1 DXi4500 System



Note: This *Installation and Configuration Guide* is intended for DXi4500 with DXi 2.0.1 Software.

DXi4500 Configurations.....	2
Choosing a Location	2
Installation Requirements.....	2
Rack Space Requirements	2
Environmental Conditions	3
Preparing for the Installation	3
Necessary Tools	3
Taking ESD Precautions.....	3
Unpacking the DXi4500	4
Installing the DXi4500 System.....	6
Locating the Mounting Position	6
Installing the DXi4500	7
Cabling the DXi4500	10
Initial Configuration.....	11
Accessing the DXi4500, Remote Management Console.....	11
Completing the Getting Started Wizard	14
Connecting the Ethernet Cables	19
Creating a Typical Backup Configuration.....	20

DXi4500 Configurations

The DXi4500 is available in the following configurations (see [Table 1](#)):

Table 1 DXi4500 Configurations

Configuration	Number of Hard Drives	Hard Drive Capacity
DXi4510 (2.2 TB Usable Capacity)	8	500 GB
DXi4520 (4.4 TB Usable Capacity)	8	1 TB

Choosing a Location

Quantum recommends installing the DXi4500 system in a controlled or restricted area to prevent access by untrained personnel. In addition, Quantum recommends that system installation be performed only by qualified IT personnel.

When choosing an installation site for the DXi4500 system, consider the following requirements:

- [Installation Requirements](#) on page 2
- [Rack Space Requirements](#) on page 2
- [Environmental Conditions](#) on page 3

Installation Requirements

Review the *DXi4500 Site Planning Guide* (6-67093) to ensure that your site meets the installation requirements for the DXi4500.

Rack Space Requirements

[Table 2](#) contains the rack requirements for the DXi4500 components.

Table 2 Rack Requirements

	DXi4500
Height	2U, 3.40 in (86 cm)
Width (side to side)	17.19 in (43.6 cm)
Depth (front to back)	24.09 in (61 cm)

	DXi4500
Weight (stand alone)	49.5 lbs (22.5 Kg)
Air Clearance	Open 4 in (10.2 cm) behind unit for proper air flow

Environmental Conditions

The installation site must have the following environmental conditions:

- Humidity: 20% to 80% (non-condensing)
- Temperature: 10 to 35 °C (50 to 95 °F) 35 °C Max, Altitude = 900 m or 2952.75 ft (28 °C Max, Altitude = 3048 m or 10,000 ft)

These environmental conditions apply when the DXi4500 system is in operation.

Note: For additional specifications, refer to the *Quantum DXi4500 User's Guide* (6-67092) located on the documentation CD.

Preparing for the Installation

Before you begin the installation procedure in this section, make the following preparations as described in this section:

- [Necessary Tools](#) on page 3
- [Taking ESD Precautions](#) on page 3

Necessary Tools

Provide the following tools for unpacking and installing the DXi4500:

- #2 PHILLIPS screwdriver
- Notebook PC (for setting up initial system configuration)

Taking ESD Precautions

Some components within the DXi4500 system contain static-sensitive parts. To avoid damaging these parts while performing installation procedures, always observe the following precautions:

- Keep the DXi4500 system turned off during all installation procedures.
- Keep static-sensitive parts in their original shipping containers until ready for installation.
- Do not place static-sensitive parts on a metal surface. Place them inside their protective shipping bag or on an antistatic mat.
- Avoid touching connectors and other components.

Note: Dry climates and cold-weather heating environments have lower relative humidity and are more likely to produce static electricity.

Unpacking the DXi4500

By following these instructions, you help ensure that the system will continue to be safeguarded after it arrives at the installation site.

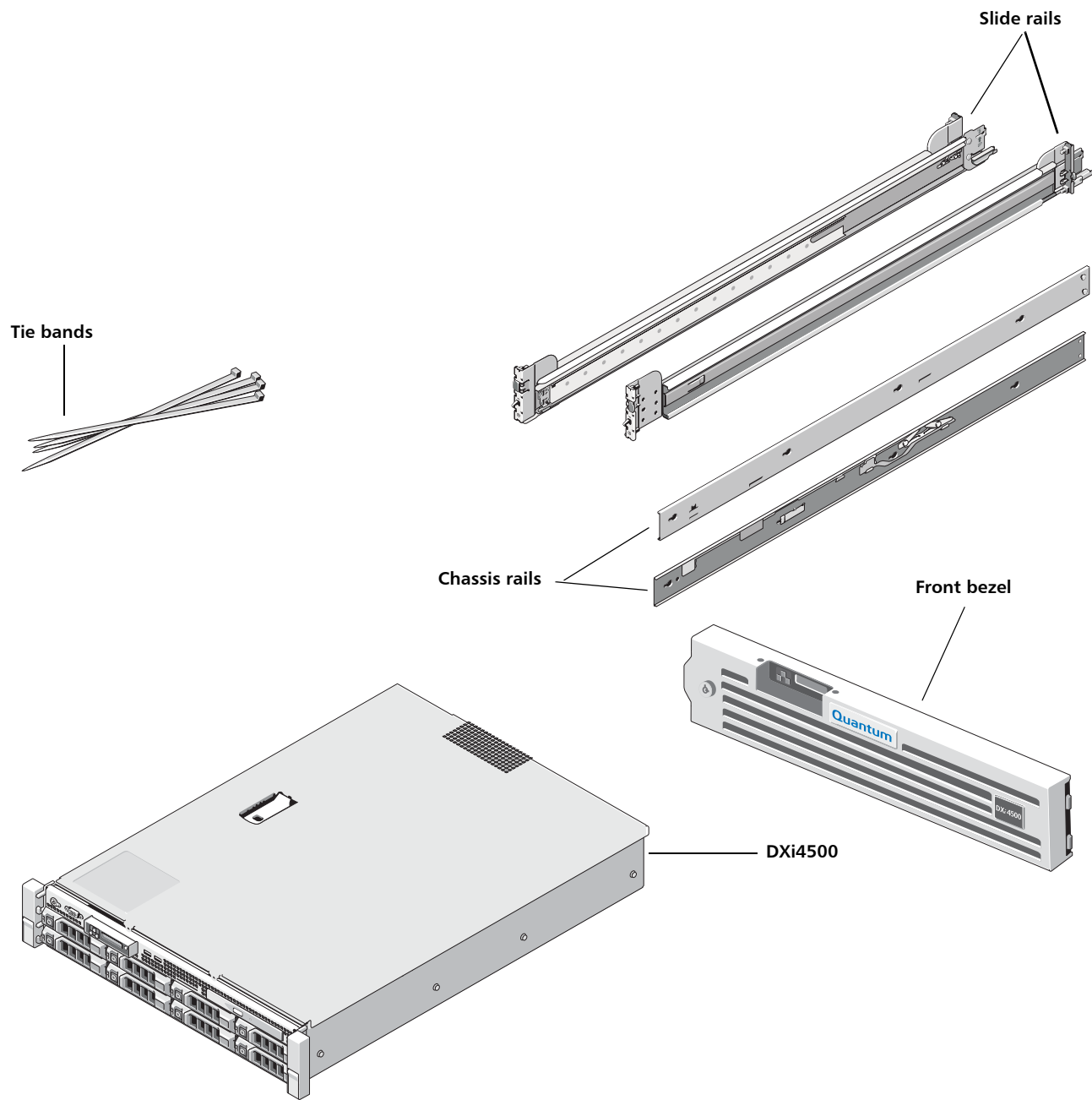
Unpack and remove the following components from the packing materials (see [Figure 2](#)):

- DXi4500 chassis
- Front bezel with key
- (4) power cords, (2) U.S. and (2) C13 to C14 cables
- Ethernet cables
- Left and right slide assemblies
- Cable-management arm
- Left and right cable-management arm ramp assemblies
- DXi4500 Quick Reference and Documentation CD
- DXi4500 Installation and Configuration Instructions
- Accessory kit

Caution: Do NOT discard the packing materials after the system is unpacked. The packaging materials must be used if the system is relocated.

WARNING: The DXi4500 weighs 49.5 lbs (22.5 Kg). Two people are required to lift the chassis.

Figure 2 Unpacking the DXi4500



Installing the DXi4500 System

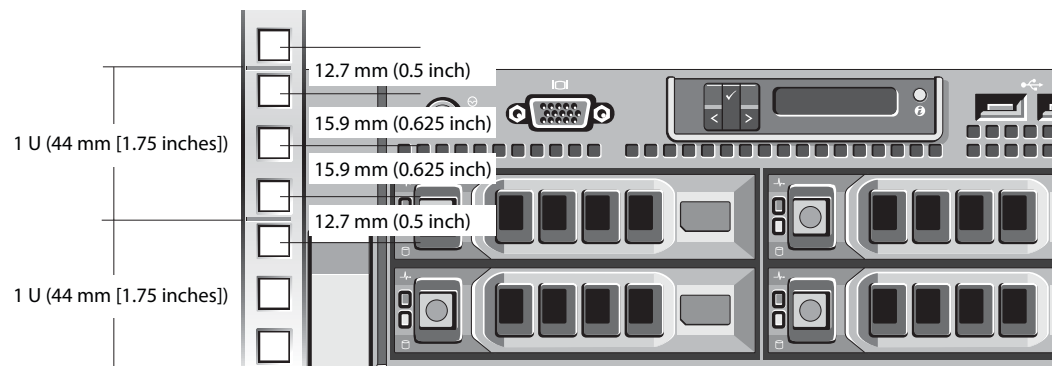
Installing the DXi4500 in a rack consists of the following steps:

- 1 [Locating the Mounting Position](#) on page 6
- 2 [Installing the DXi4500](#) on page 7
- 3 [Cabling the DXi4500](#) on page 10

Locating the Mounting Position

The DXi4500 systems is designed to fit in a standard 19 inch wide rack. It is important for the chassis installation to locate the hole pattern in the rack rails. You must allow 2U (3.5 in (8.9 cm)) of vertical space for the DXi4500 system. Rack cabinets that meet EIA-310 standards have an alternating pattern of three holes per rack unit with center-to-center hole spacing (beginning at the top hole of a 1-U space) of 15.9 mm, 15.9 mm, and 12.7 mm (0.625 inch, 0.625 inch, and 0.5 inch) for the front and back vertical rails (see [Figure 3](#)). Rack cabinets may have round or square holes.

Figure 3 Rail Hole Pattern



WARNING: If the rack is empty at the time of installation, do NOT install the DXi4500 chassis too high in the rack. The weight of the chassis may cause the rack to become “top heavy” and unstable if installed in the top of an empty rack.

To mark the rack, perform the following step:

- 1 Place a mark (or tape) on the rack's front vertical rails where you want to locate the bottom of the system you are installing in the rack. The bottom of each 1-U space is at the middle of the narrowest metal area between holes (marked with a horizontal line on some rack cabinets).

Installing the DXi4500

Installing the DXi4500 consists of the following steps:

- 1 [Installing the DXi4500 Rack Mounting Rails](#) on page 7
- 2 [Installing the DXi4500 Chassis](#) on page 9

Installing the DXi4500 Rack Mounting Rails

- 1 Install the rack mounting rails (see [Figure 4](#) for square holes and [Figure 5](#) for Round holes):
 - a Position the left and right rail end pieces of the rail module labeled **FRONT** facing inward and orient each end piece to seat in the square holes on the front side of the vertical rack flanges. Align each end piece to seat the pegs in the bottom hole of the first U space and the top hole of the second U space.
 - b Engage the back end of the rail until it fully seats on the vertical rack flange and the second tooth on the latch locks in place.

Note: To remove the rack mounting rails, pull the **Release** latch located on the front of the rail.

Figure 4 Installing the Rack Mounting Rails (Square Holes)

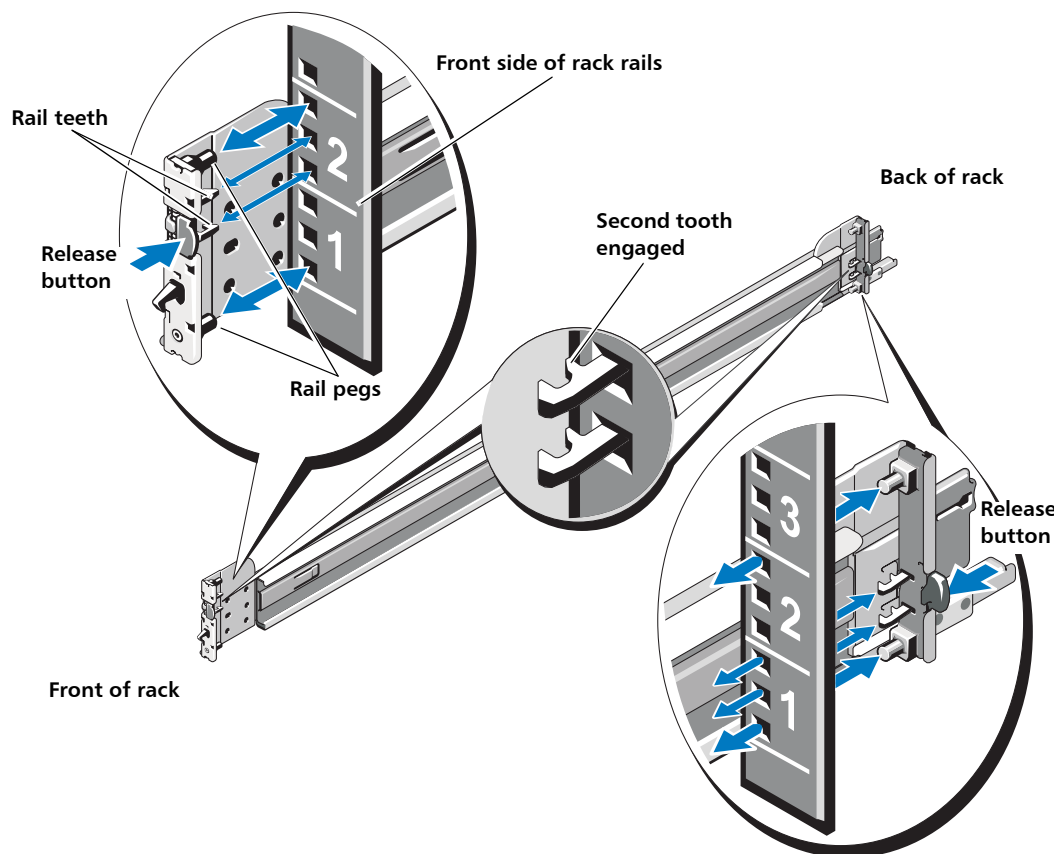
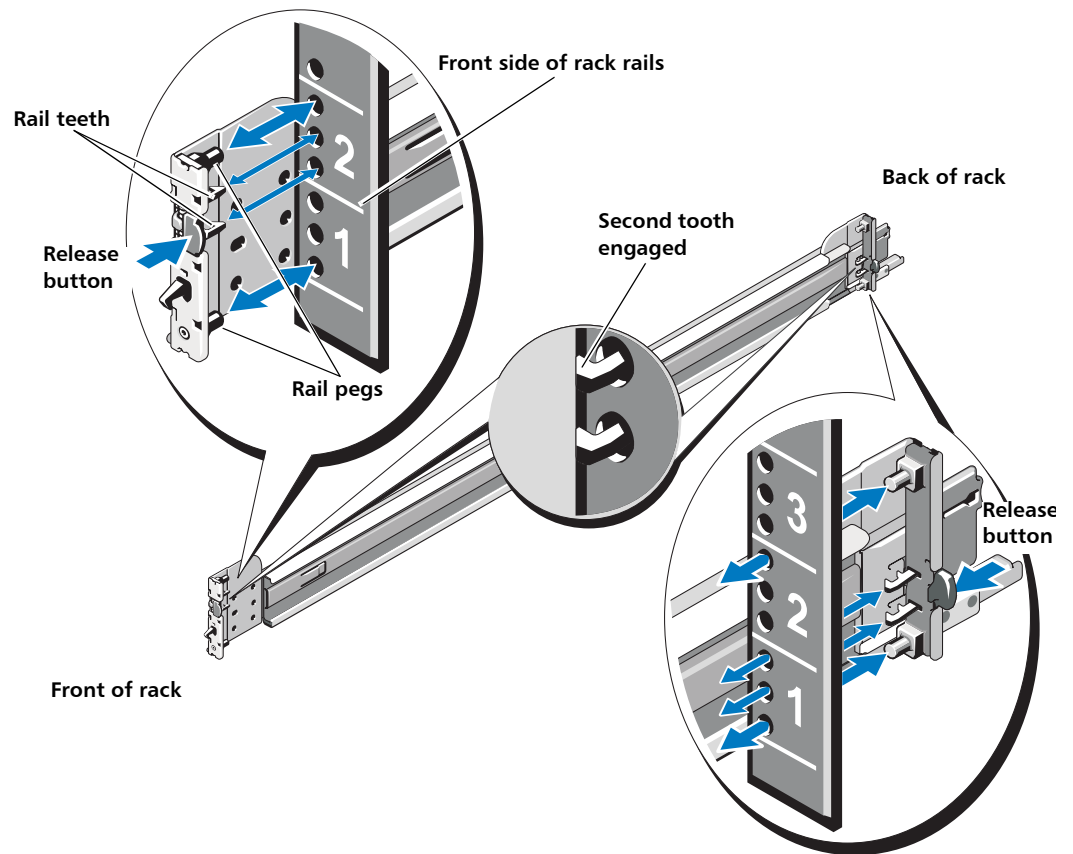


Figure 5 Installing the Rack Mounting Rails (Round Holes)

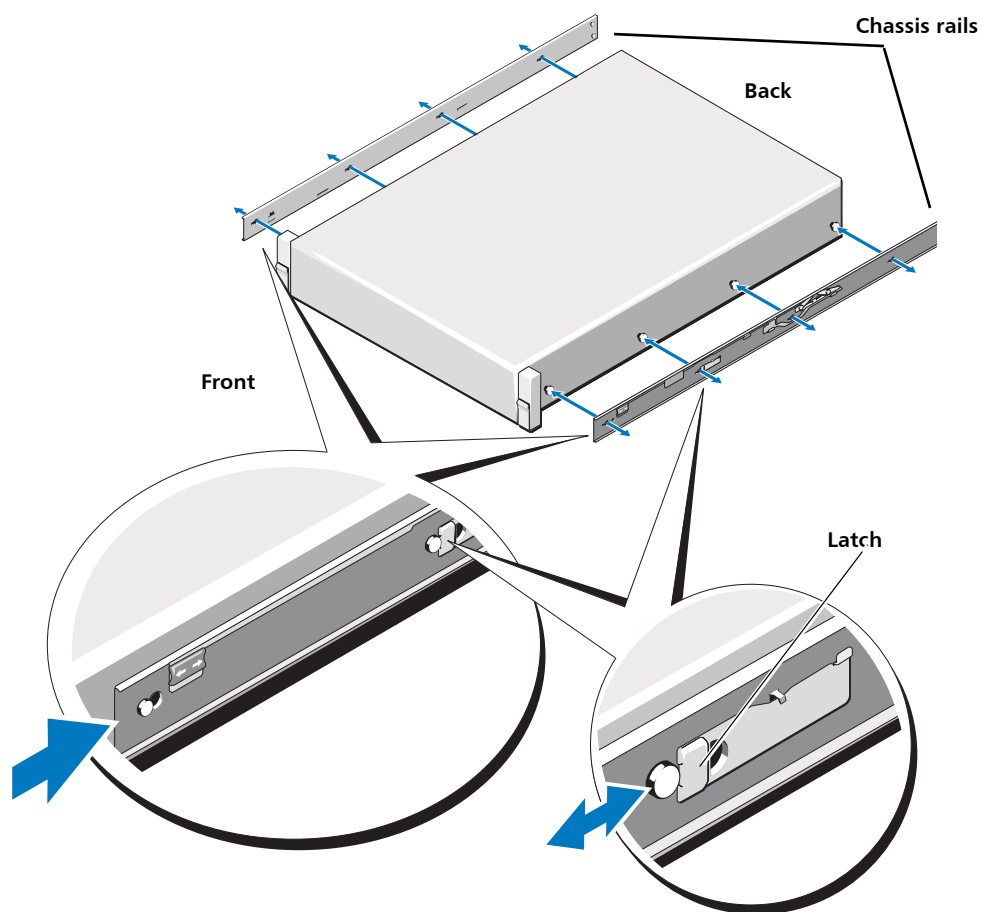


- 2 Place the DXi4500 on a level surface and align the four keyhole slots on the chassis rails with the corresponding pins on the system. Slide the chassis rails towards the back of the system until each one locks into place (see [Figure 6](#)).

WARNING: The DXi4500 weighs 49.5 lbs (22.5 Kg). Two people are required to lift the chassis.

Note: To disengage the chassis rails, pull the latch and push the rails toward the front of the chassis.

Figure 6 Installing the Chassis Rails



Installing the DXi4500 Chassis

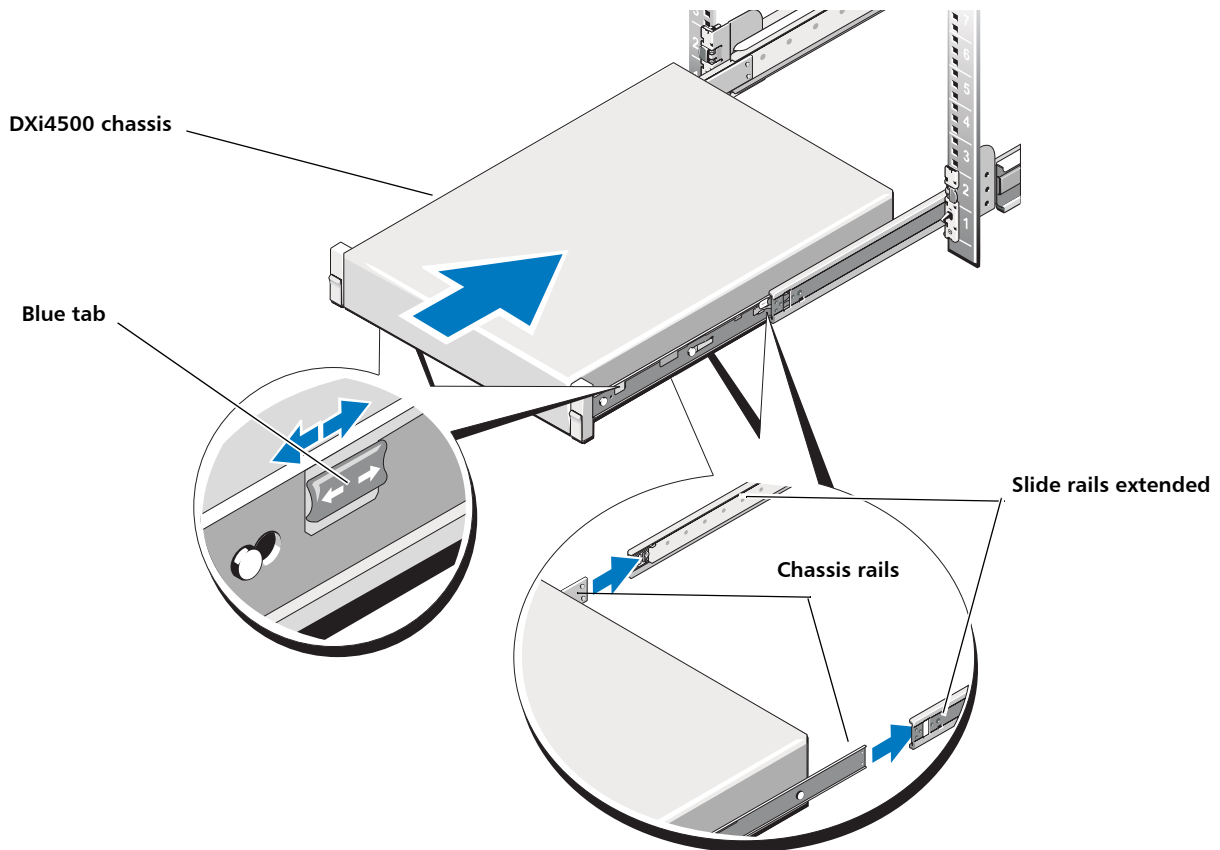
WARNING: Ensure that the system is properly supported until the chassis rails are locked into the slide rails on both sides.

1 To install the DXi4500 chassis (see [Figure 7](#)):

WARNING: The DXi4500 weighs 49.5 lbs (22.5 Kg). Two people are required to lift the chassis.

- a Pull the slide rails out of the rack until they lock into place.
- b Align and insert the ends of the chassis rails into the ends of the slide rails. Push the system inward until the chassis rails lock into place.
- c Push or pull the blue tab located near the front of the system and slide the system into the rack.

Figure 7 Installing the DXi4500 Chassis



Cabling the DXi4500

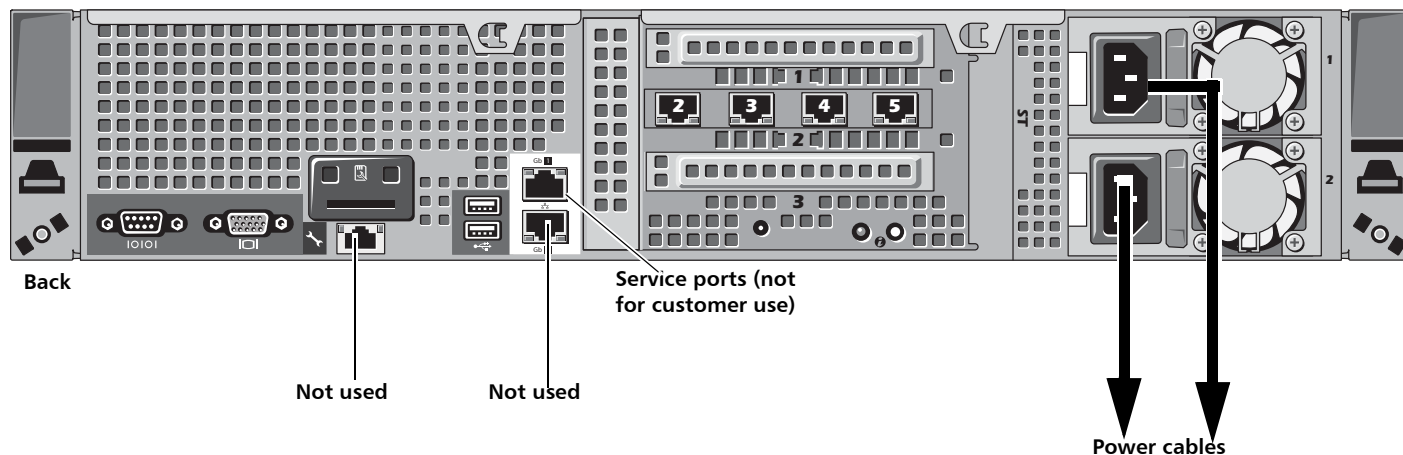
To cable the DXi4500 (see [Figure 8](#)):

- 1 Connect a power cable to each power supply (two).

Note: It is recommended that you connect each power cord to a separate AC circuit to ensure system availability in case of a power failure.

- 2 Do NOT connect any Ethernet cables at this time.

Figure 8 Cabling the DXi4500



Initial Configuration

Before the DXi4500 is operational, you must configure the system through the remote management console. You must also configure your backup software.

Configuring the DXi4500 consists of four major steps. See the following subsections for detailed instructions for completing each step:

- 1 [Accessing the DXi4500, Remote Management Console](#) on page 11
- 2 [Completing the Getting Started Wizard](#) on page 14
- 3 [Connecting the Ethernet Cables](#) on page 19
- 4 [Creating a Typical Backup Configuration](#) on page 20

Note: You will need a computer and an Ethernet cable to complete the initial setup.

Note: If you attempt to install multiple DXi4500 systems at the same time, an IP address conflict can occur because each system is configured with the same default IP address (10.1.1.1). To avoid this problem, install one system and configure it to use a different IP address before you connect another system to the network.

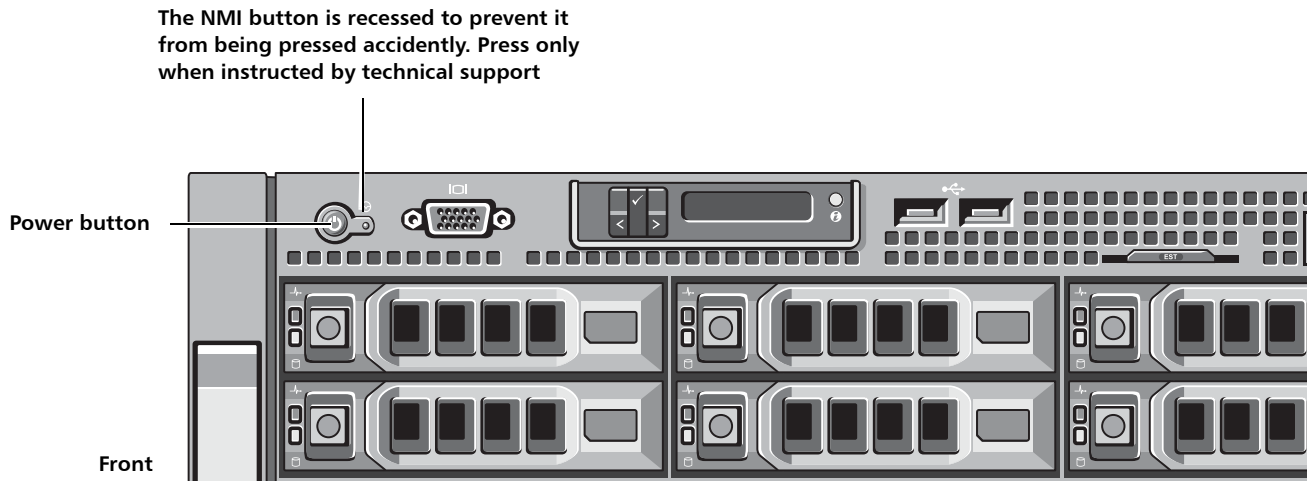
Accessing the DXi4500, Remote Management Console

To access the DXi4500 remote management console:

- 1 Turn on the DXi4500 system by pressing the power button located on the front of each chassis (see [Figure 9](#)).

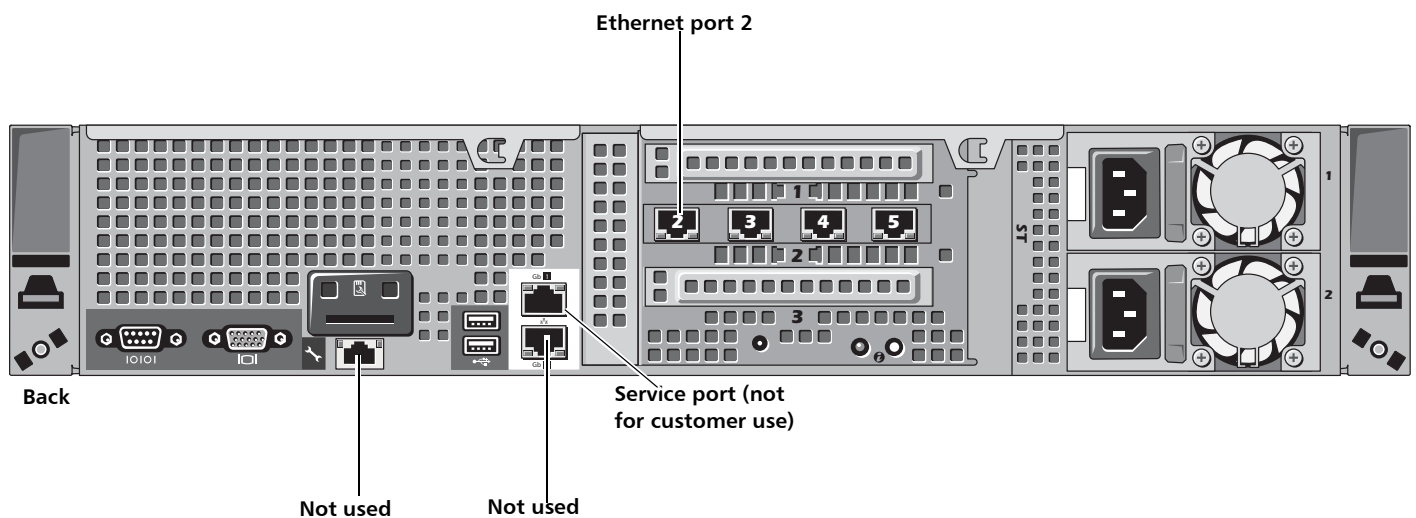
Note: Wait 30 minutes for the system to boot before continuing with the procedure.

Figure 9 Power Buttons



- Using an Ethernet cable, connect the Ethernet port on the computer to Ethernet port 2 on the back of the DXi4500. Ethernet port 2 is in the far left-hand Ethernet port in the middle PCI slot (slot 2) as you face the back of the system (see [Figure 10](#)).

Figure 10 Ethernet Ports



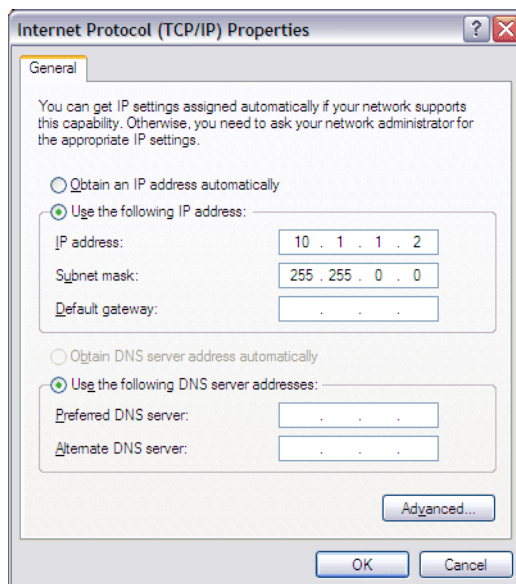
- Configure the network settings on the computer:

Note: This procedure assumes you are running Windows XP on the computer. The steps might be different if you are using another operating system.

- a On the Windows **Start** menu, click **Connect To > Show all connections**.
- b Right-click the network connection that corresponds to the Ethernet port on the computer (for example, **Local Area Connection**), and click **Properties**.
- c Select **Internet Protocol (TCP/IP)** in the list of connections, and then click **Properties**.

The **Internet Protocol (TCP/IP) Properties** window displays (see [Figure 11](#)).

Figure 11 Internet Protocol (TCP/IP) Properties Window



- d Select **Use the following IP Address** and then enter the following information:

Caution: Before changing the IP address information, write down the original settings. This will be used later to reset the network configuration.

- **IP address** - 10.1.1.2
- **Subnet mask** - 255.255.0.0

- e Click **OK**.
- f Wait at least two minutes for the computer to set the IP addresses on the local computer.

- 4 On the computer, open a supported Web browser, type **10.1.1.1** in the **Address** box, and press **<Enter>**.

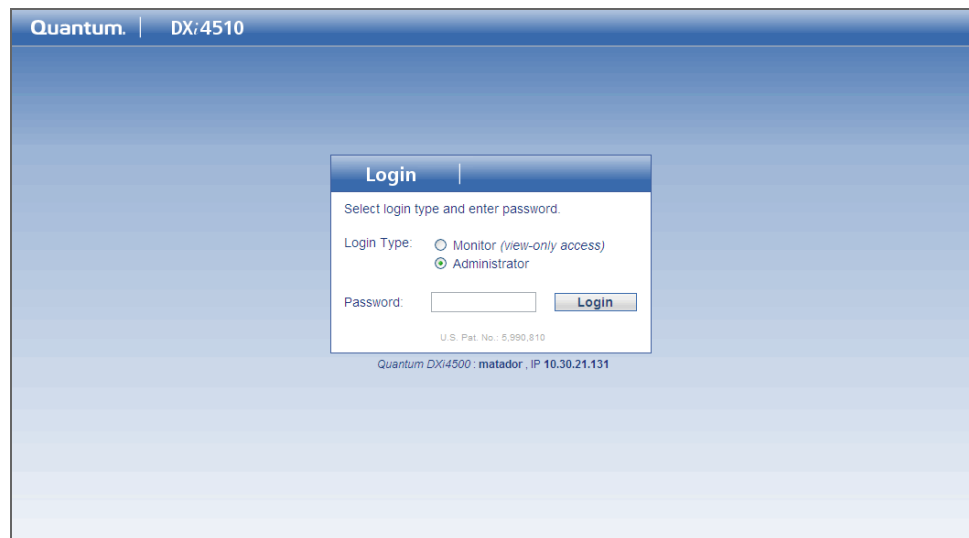
The **Login** window displays (see [Figure 12](#)).

Note: For Web browsers, the DXi4500 supports either Internet Explorer 7 or higher, or Firefox 3 or higher.

Note: If the **Login** window does not display, verify that you entered the correct IP address (10.1.1.1) and that the network settings on the computer are correct. Wait five minutes, then try again. If the **Login** window still does not display, contact Quantum Customer Support. (Contact information is located on the last page of this document.)

Continue with the next section to log on to the system and complete the **Getting Started** wizard.

Figure 12 Login Window



Completing the Getting Started Wizard

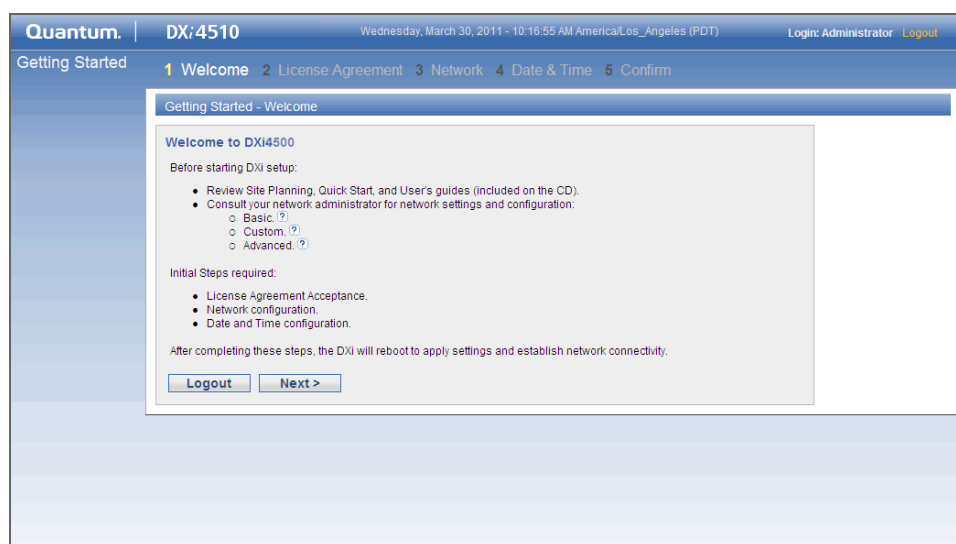
To complete the DXi4500 **Getting Started** wizard:

- 1 On the **Login** window, select **Administrator**, type **password** for the password, and click **Login**.

The **Welcome** page displays (see [Figure 13](#)).

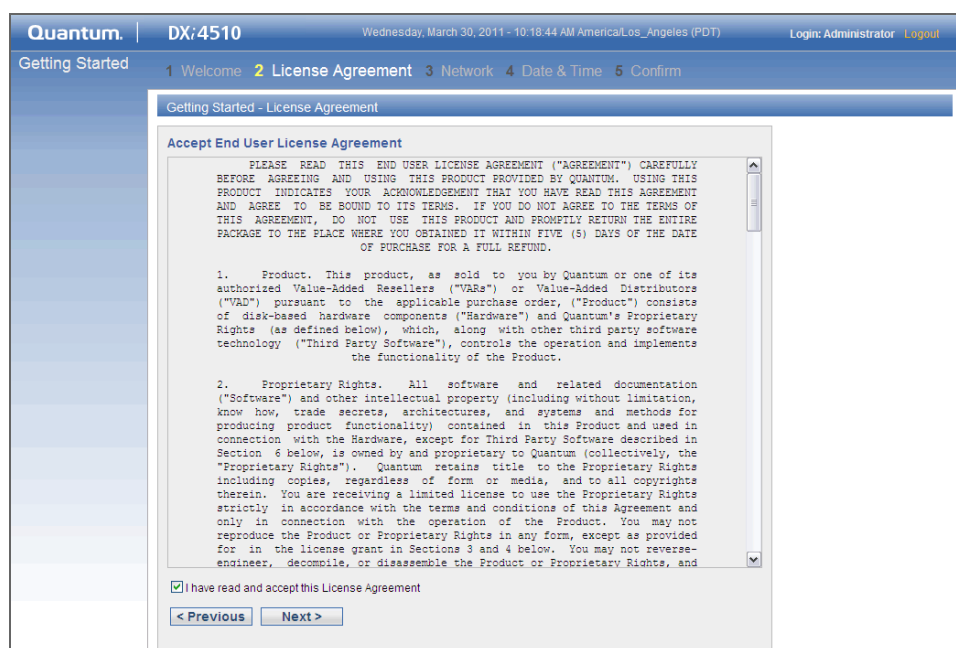
Note: If a message on the page indicates the DXi is in Limited Mode, wait ten minutes, and then log on again.

Figure 13 Getting Started Wizard: Welcome



- 2 Read the information about the wizard, and then click **Next** to continue. The **License Agreement** page displays (see [Figure 14](#)).

Figure 14 Getting Started Wizard: License Agreement



- 3 Select the **I have read and accept this License Agreement** check box, and then click **Next** to continue.

Note: If you do not accept the license agreement, the DXi4500 will not function.

The **Network** page displays (see [Figure 15](#)).

Caution: Configuring network segmentation requires advanced networking knowledge. When selecting network segmentation options other than the options recommended in the following procedures, contact your network administrator for assistance.

If you choose to use network segmentation or CIFS, refer to the *DXi4500 User's Guide* for details.

Caution: For effective bonded network use, a properly configured network switch is required. (A network switch is not supplied with the DXi4500.) The DXi4500 bonding settings must match the switch settings. If the switch settings and the DXi4500 settings do not match, your system may become inaccessible through the switch.

Figure 15 Getting Started Wizard: Network

The screenshot displays the 'Getting Started - Network' configuration page for a Quantum DXi4510. The page is titled 'Configure Network Settings' and has three radio button options: 'Basic' (selected), 'Custom', and 'Segmented'. Under the 'General' section, there are fields for Hostname (rol-dxi146), IP Address (10.20.185.146), Netmask (255.255.248.0), and Default Gateway (10.20.184.1). There are also fields for Domain Suffix Search List (node-1), Primary DNS IP Address, Secondary DNS IP Address, and Tertiary DNS IP Address. The 'Network Interfaces' section shows 'BOND ALL (not segmented)' selected, with a physical port layout grid and the text 'BOND ALL = ETH0+ETH1'. The 'Bonding' section shows 'Round Robin (Mode 0)' selected, with a note: 'Note: To maintain DXi network connectivity the switch connected to your DXi must be configured to use the same bonding mode.' There are 'Reset', '< Previous', and 'Next >' buttons at the bottom.

4 Under **Configure Network Settings**, select the **Basic** option.

Note: Refer to the *Quantum DXi4500 User's Guide* (6-67092) located on the documentation CD for information about the **Custom** or **Segmented** network options.

5 Under **General**, enter the following information:

Note: Your network administrator will provide you with the IP address information.

Caution: Make sure you enter the correct IP address information and that you write this information down. If you enter the incorrect IP address information and reboot, you will not be able to access the system.

- a Enter the **Hostname** used to identify the DXi4500 system.
- b Enter the **IP Address**, the **Netmask**, and the **Default Gateway** (optional) you want to use to join the DXi4500 to your network.
- c (Optional) In the **Domain Suffix Search List** box, enter the local domain to search first when resolving domain names.

The domain suffix is a single domain name. The domain name may contain only letters (A–Z), numbers (0–9), dots (.), and hyphens (-).

- d (Optional) In the **Primary**, **Secondary**, and **Tertiary DNS IP Address** boxes, enter the IP address of up to three DNS servers used to resolve domain names and translate them into IP addresses.
-

Caution: You must specify a DNS IP address if you plan to use hostname format when configuring an NTP time server, outgoing e-mail server, replication sources and targets, and other information.

- 6 Under **Network Interfaces**, select **BOND ALL (not segmented)**.
- 7 Under **Bonding**, select **Round Robin (Mode 0)**.

Note: Refer to the Quantum DXi4500 *User's Guide* (6-67092) located on the documentation CD for information about additional bonding options.

- 8 Click **Next** to continue.

The **Date & Time** page displays (see [Figure 16](#)).

Figure 16 Getting Started Wizard: Date & Time

The screenshot displays the 'Configure Date & Time Settings' page in the Quantum DXi4500 Getting Started Wizard. The page title is 'Getting Started - Date & Time'. The breadcrumb navigation shows: 1 Welcome, 2 License Agreement, 3 Network, 4 Date & Time, 5 Confirm. The page content includes:

- Two radio buttons: Network Time Protocol (NTP) Server (Recommended) and Manual Date & Time Settings.
- A warning: 'Any change to Date & Time Settings requires a system reboot.'
- Current Date: Wednesday, March 30, 2011
- New System Date: Wednesday, March 30, 2011 (with a calendar icon)
- Current Time: 10:20:50 AM America/Los_Angeles (PDT)
- New System Time: 10 : 20 : 50 AM (with dropdown menus for each field)
- Timezone: America/Los_Angeles (dropdown menu)
- Time Format: 24 Hours, 12 Hours
- Buttons: Reset, < Previous, Next >

- If necessary, select **Manual Date & Time Settings** to manually set the system date and time.

Specify the **New System Date** by clicking **Calendar**. Specify the **New System Time** using the drop-down boxes.

Note: You can also choose to synchronize the system time with an NTP time server. To select a timeserver pool, you must have specified at least one DNS IP address in step 5d above. Otherwise, you must specify the IP address of the timeserver pool. For more information, see the Quantum DXi4500 *User's Guide* (6-67083) located on the documentation CD.

- In the **Timezone** drop-down box, select the time zone where the DXi4500 is located.
- Next to **Time Format**, select the format to use when displaying times (**24 hours** or **12 hours**).
- Click **Next** to continue.

The **Confirm** page displays (see [Figure 17](#)).

Figure 17 Getting Started Wizard: Confirm

- Review the settings you selected to make sure they are correct. If necessary, click **Previous** to return to a previous step to make changes.
- After you have confirmed all settings, click **Finish**.
A message appears stating that completing the setup will restart the system.
- Click **Yes** to restart the system.
- Disconnect the computer from the DXi4500. Reset the computer network settings back to its default values.
- Wait 30 minutes for the system to fully restart.

Continue with the next section to create a typical backup configuration.

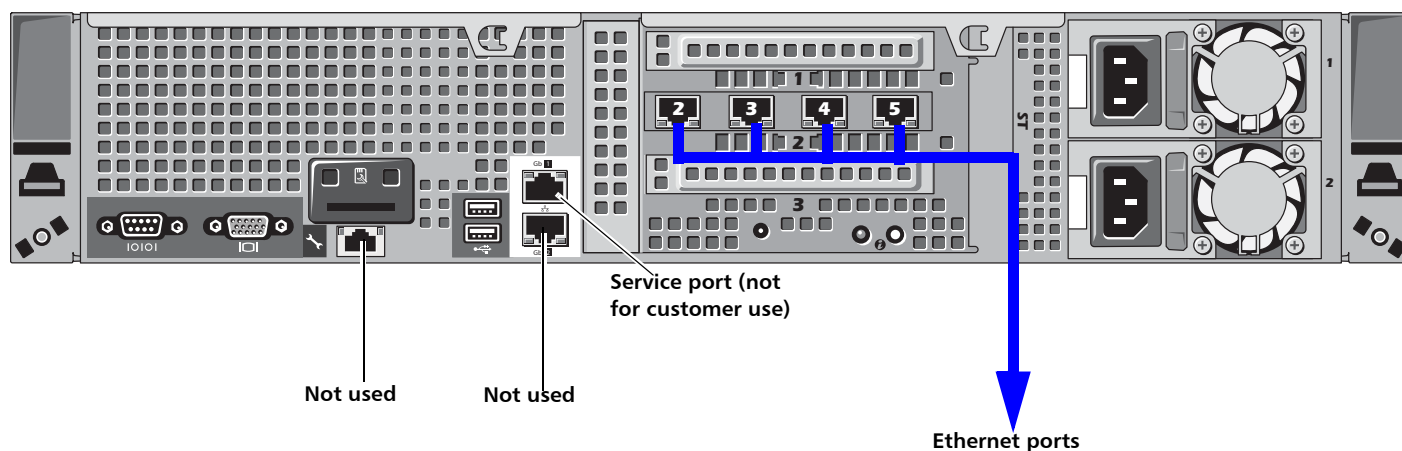
Connecting the Ethernet Cables

Connect the Ethernet cables to the DXi4500 as follows (see [Figure 18](#)).

Note: The Ethernet cables are used for remote management and NAS connectivity. Review the *DXi4500 Site Planning Guide* (6-67093) located on the documentation CD to determine the number of Ethernet cables to attach. When connecting and disconnecting Ethernet cables or making configuration changes, it is normal for the **Admin Alert** indicator to display on the remote management console.

- 1 Connect up to four Ethernet cables to the quad port NIC (ports 2, 3, 4, and 5).

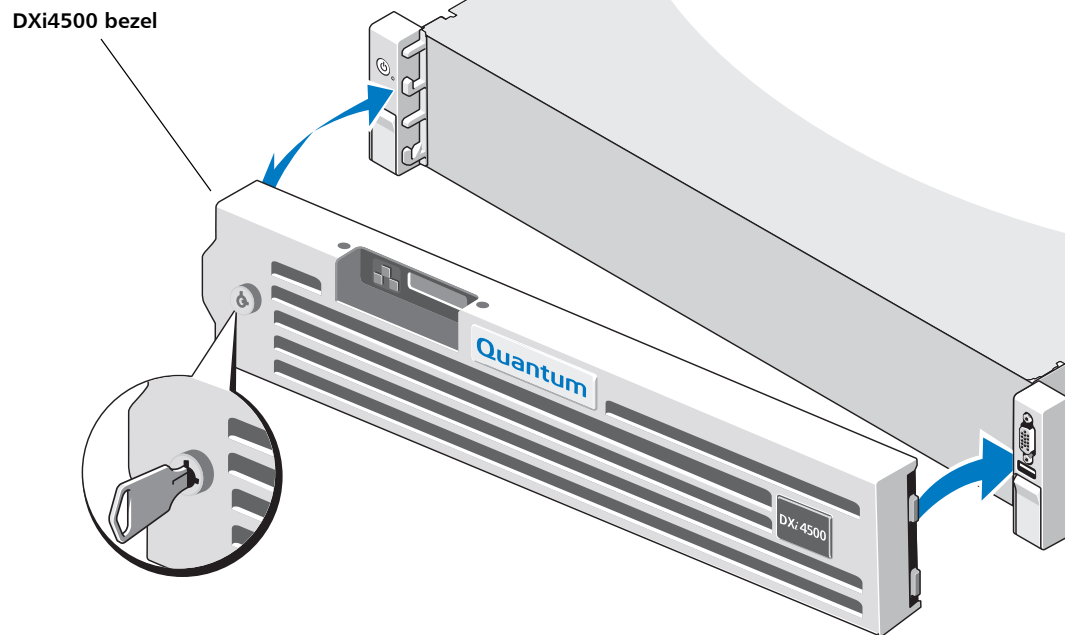
Figure 18 Connecting the Ethernet Cables



- 2 Install a bezel on the front of the DXi4500. The bezel snaps into place on the front of the DXi4500 to prevent the removal of the system from the rack (see [Figure 19](#)).

Note: The keys that lock and unlock the front bezel are located in the accessory kit.

Figure 19 Installing the Front Bezels



Creating a Typical Backup Configuration

Before you can begin using the DXi4500 for backups, you must configure the system for NAS or Symantec™ NetBackup OST. See the following sections for detailed instructions for completing each type of configuration:

- [Installed System Licenses](#) on page 20
Refer to this section for information on installed system licenses.
- [OST Configuration](#) on page 21
See this section to configure the DXi4500 to use OST (OpenStorage) and Symantec Veritas NetBackup to perform backups and Optimized Duplication.
- [NAS Configuration](#) on page 21
See this section to configure the DXi4500 to use NAS (network attached storage) for backups.

Installed System Licenses

The following licenses are installed by default on the system:

- **Deduplication License**
- **NAS connectivity License**
- **OST (Open Storage) License**
- **Replication License**

OST Configuration

The following components are required for OST (Open Storage) operation with the DXi4500:

- Symantec Veritas NetBackup v.6.5.4 (or later) or Symantec Backup Exec 2010 (or later).

Caution: NetBackup v 6.5.4 and Backup Exec 2010 are the minimum versions required for OST functionality.

- Quantum OST storage server (included with the Quantum DXi4500 software)
- Quantum OST plug-in (downloaded separately through the remote management console or from the Quantum Service and Support Web site)

To enable OST on the DXi4500:

- 1 Download and install the Quantum OST Plug-in according to the instructions in the *Quantum DXi-Series: Symantec™ Veritas NetBackup OST Configuration Guide (6-67079)* or *Quantum DXi-Series: Symantec™ Backup Exec OST Configuration Guide (6-67080)*.

Note: You can find a copy of the *OST Configuration Guides* on the quick reference CD that came with your DXi4500 system.

- 2 Follow the steps in the *OST Configuration Guide* to configure the DXi4500 and NetBackup or Backup Exec to perform backups and OST Optimized Duplication.
- 3 To optimize your backup environment:
 - Follow the procedures in the *Veritas NetBackup 6.5 from Symantec with DXi-Series Best Practice Guide (20020428)*. To obtain a copy of the *Veritas NetBackup 6.5 from Symantec with DXi-Series Best Practice Guide*, visit the DXi-Series product pages on www.quantum.com.
 - Follow the procedures in the *Backup Exec from Symantec with DXi-Series Best Practice Guide (20020434)*. To obtain a copy of the *Backup Exec from Symantec with DXi-Series Best Practice Guide*, visit the DXi-Series product pages on www.quantum.com.
- 4 To learn more about operating the DXi4500, refer to the *Quantum DXi4500 User's Guide (6-67092)* located on the documentation CD.

NAS Configuration

The DXi4500 presents its disk storage as NAS (network attached storage) shares. Before you can use the DXi4500 for backups, you must create at least one NAS share on the system. After you create a NAS share, you can configure your backup application to back up data to the share.

Use the following procedure to set up a basic NAS share.

Note: Do not use this procedure if you are using OST to perform backups. Instead, see [OST Configuration](#) on page 21.

Note: This procedure assumes you are creating a NAS share in a Windows environment. Refer to the *Quantum DXi4500 User's Guide (6-67092)* located on the documentation CD for additional NAS configuration information.

1 Log on to the DXi4500 remote management console:

- a On a computer on the same subnet as the DXi4500, enter the IP address of the system in the **Address** box of a supported Web browser.

Use the IP address you specified when setting up the system.

The **Login** window displays (see [Figure 12](#)).

- b Select **Administrator**, type **password** for the password, and click **Login**.

If this is the first time you have logged on since completing the **Getting Started** wizard, then the **Configuration Wizards** page displays. Otherwise, the **Home** page displays.

2 Access the **NAS** wizard:

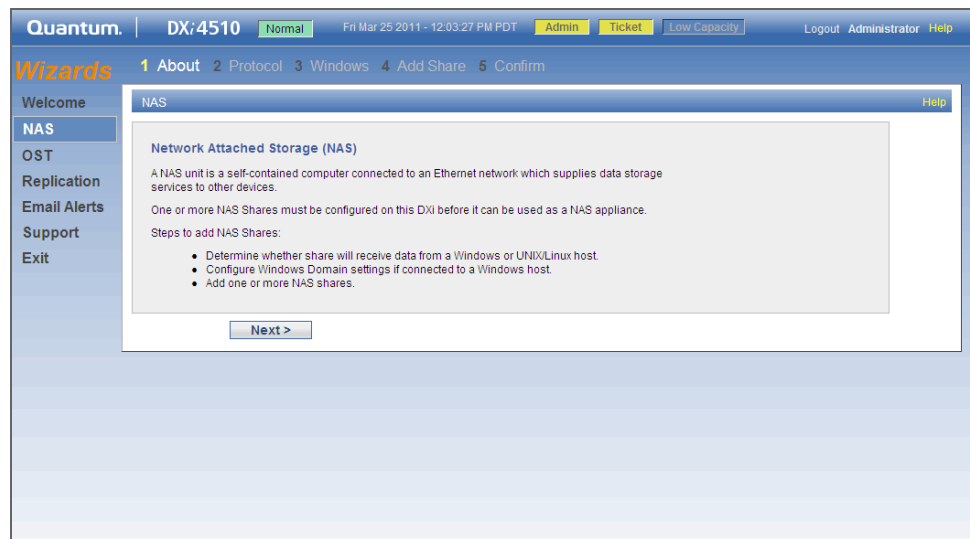
Note: This procedure assumes you are joining the DXi4500 to a Windows workgroup. If your site uses Active Directory instead of workgroups, refer to the *Quantum DXi4500 User's Guide (6-67092)* located on the documentation CD for information on joining a Windows domain using Active Directory.

- a If the **Wizards** menu is not visible, click **Wizards** on the main menu.

- b On the **Wizards** menu, click **NAS**.

The **About** page displays (see [Figure 20](#)).

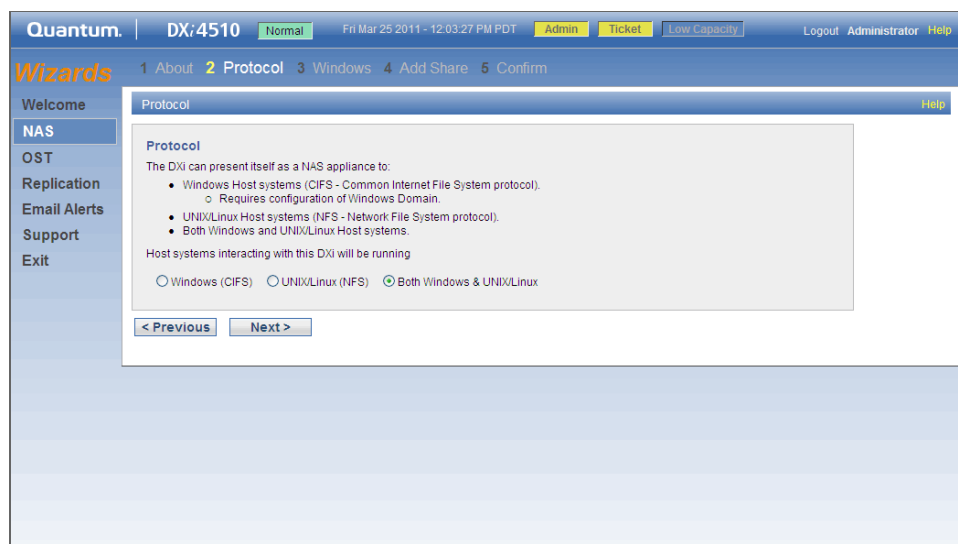
Figure 20 NAS Wizard: About



3 Read the information about the wizard, and then click **Next** to continue.

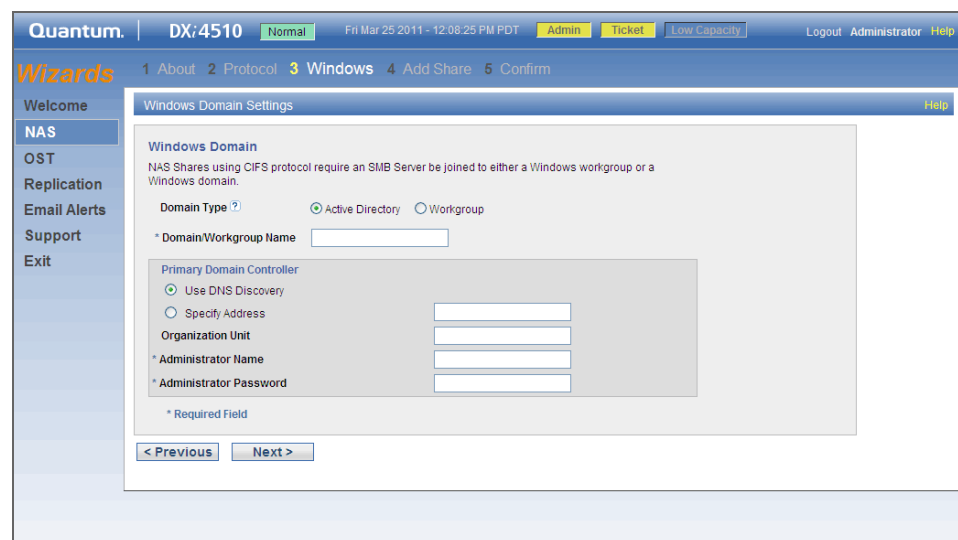
The **Protocol** page displays (see [Figure 21](#)).

Figure 21 NAS Wizard:
Protocol



- 4 Select the **Windows (CIFS)** option, and then click **Next** to continue. The **Windows** page displays (see [Figure 22](#)).

Figure 22 NAS Wizard:
Windows



- 5 Enter information about the Windows domain:
 - a Select the **Workgroup** option.
 - b In the **Domain/Workgroup Name** box, enter the name of the workgroup the DXi4500 is joining.
- 6 Click **Next** to continue. The **Add Share** page displays (see [Figure 23](#)).

Figure 23 NAS Wizard: Add Share

The screenshot shows the 'Add Share' step of the Quantum DXi4500 NAS Wizard. The interface includes a sidebar with navigation options: Welcome, NAS, OST, Replication, Email Alerts, Support, and Exit. The main content area is titled 'Add Shares' and contains a form for creating a new share. The form includes the following fields and options:

- Name:** A text input field for the share name.
- Description:** A text input field for a brief description of the share.
- Enable deduplication:** A checked checkbox with a note: "Deduplication setting cannot be changed after share is created."
- Hide from network browsing:** An unchecked checkbox.
- Export Protocol:** Radio buttons for "CIFS (Windows network)" (selected) and "NFS (UNIX/Linux network)".
- Buttons:** "Add" and "Reset" buttons are located below the form. Navigation buttons "< Previous" and "Next >" are located below the form.

7 Enter information about the new NAS share you are creating:

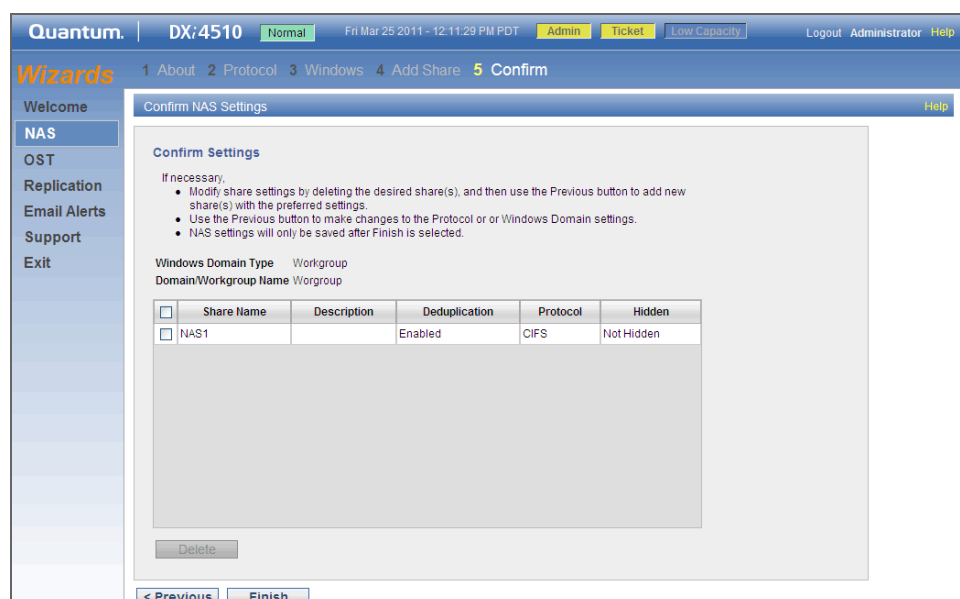
- **Name** - Enter the name of the NAS share. The share will appear as this name on the Windows network.
- **Description** - (Optional) Enter a brief description of the share.
- **Enable data deduplication** - Make sure the check box is selected to enable data deduplication. (Data deduplication is enabled by default.)
- **Hide from network browsing** - Do not select this check box. If selected, you cannot see the share when browsing the network.

8 Click **Add**.

9 Click **Next** to continue.

The **Confirm** page displays (see [Figure 24](#)).

Figure 24 NAS Wizard:
Confirm



- 10 Complete the **NAS** wizard:
 - a Review the settings you selected to make sure they are correct. If necessary, click **Previous** to return to a previous step to make changes.
 - b To make changes to a NAS share you added, first select the share and click **Delete** to delete the share. Then click **Previous** to return to the previous step and add a new share.
 - c After you have confirmed all settings, click **Finish**. The NAS share is created and becomes available on the Windows network.
- 11 To verify the NAS share:
 - a On a computer on the same network as the DXi4500, click **Start** and then **Run**.
 - b Type: \\<IP address of the DXi4500>\<name of the NAS share>
 - c Press **Enter**.

The NAS share will display the NAS share in **Windows Explorer** if successful.
- 12 The DXi4500 is now ready to use for backup operation. The installation is successful when you are able to backup data to the system. Here are the next steps you can take:
 - Use the other **Configuration Wizards** on the **Wizards** menu to configure additional features of the DXi:
 - **OST Wizard** - Helps you configure the DXi to present its storage as one or more OST (OpenStorage) storage servers for use with a backup application.
 - **Replication Wizard** - Helps you configure the DXi to send replicated data to or receive replicated data from another DXi system.
 - **Email Alerts Wizard** - Helps you configure the DXi to automatically send notifications and reports to selected recipients.

- **Support Wizard** - Helps you enable licensed features on the DXi, register your system with Quantum, and perform other tasks that will aid Quantum customer support in assisting you.

Note: To learn more about using the **Configuration Wizards**, refer to the *Quantum DXi4500 User's Guide* (6-67092) located on the documentation CD.

- To configure your backup application to begin performing backups to the new NAS share, refer to your backup application documentation.
- To learn more about operating the DXi4500, refer to the *Quantum DXi4500 User's Guide* (6-67092) located on the documentation CD.
- To enable remote replication of the NAS share to another DXi™-Series system, refer to Chapter 6, "DXi4500 Replication" in the *Quantum DXi4500 User's Guide* located on the documentation CD.



For assistance, contact the Quantum Customer Support Center:

USA: 800-284-5101 (toll free) or 949-725-2100
EMEA: 00800-4-782-6886 (toll free) or +49 6131 3241 1164
APAC: +800 7826 8887 (toll free) or +603 7953 3010
Worldwide: <http://www.quantum.com/ServiceandSupport>

Quantum®

Preserving the World's Most Important Data. Yours.™

©2011 Quantum Corporation. All rights reserved. Quantum, the Quantum logo, and all other logos are registered trademarks of Quantum Corporation or of their respective owners. Protected by Pending and Issued U.S. and Foreign Patents, including U.S. Patent No. 5,990,810.

About Quantum

Quantum Corp. (NYSE:QTM) is the leading global storage company specializing in backup, recovery and archive. Combining focused expertise, customer-driven innovation, and platform independence, Quantum provides a comprehensive range of disk, tape, media and software solutions supported by a world-class sales and service organization. This includes the DXi™-Series, the first disk backup solutions to extend the power of data deduplication and replication across the distributed enterprise. As a long-standing and trusted partner, the company works closely with a broad network of resellers, OEMs and other suppliers to meet customers' evolving data protection needs.